

ST35

Track Loaders



**WACKER
NEUSON**
all it takes!



Radial Lift Track Loader

The ST35 radial lift track loader delivers power and maneuverability. This machine delivers 3,500 pounds of rated operating capacity at 50% and a lift height up to 126.8 inches. The ST35 is powered by a 74.3 hp turbo-charged Kohler Tier 4 Final engine. Available with EH Hand-Foot, and Selectable EH (ISO and H-Pattern) controls, the machines can fit the preferences of any user. The ergonomically designed controls and pressurized cab delivers comfort and visibility, reducing operator fatigue and increasing productivity.

- Standard two-speed transmission increases travel time on job sites giving the operator more time throughout the day to get more tasks completed.
- Spacious extended cab maximizes room and comfort for the operator to move inside the cab.
- Quick and easy service access from the forward tilting cab and the arrangement of internal components makes it easy to maintain the machine.
- Hydraulically driven fan operates on an as-needed basis allowing faster warm-up times of the engine and significantly reducing noise.
- Optional high flow hydraulics increase the range of usable attachments improving efficiency and productivity.

ST35 Technical specifications

Operating data

Height top of ROPS	83.2 in
Overall length w/ bucket	145.4 in
Overall length w/o bucket	117.5 in
Height Hinge Pin Max	126.8 in
Operating weight	9,879 lb
Rated Operating Capacity ROC 50%	3,500 lb
Rated Operating Capacity ROC 35%	2,450 lb
Length of track on ground	63 in
Dump height max. at max height	99.8 in
Angle of departure	27 °
Tipping angle (bucket dump) w/ bucket at max height	44 °
Ground clearance	9 in
Breakout force max. - Bucket	6,941 lbf
Breakout force max. - Boom	7,500 lbf
Bucket width	78 in
Width w/o bucket	76 in
Width Track	17.7 in

Engine / Motor

Engine / Motor	Kohler KDI 3404TCR
Engine performance	74 hp
Displacement	205 in ³
RPM / speed	2,500 rpm
Battery	950 CCA
Fuel tank capacity	40 US gal

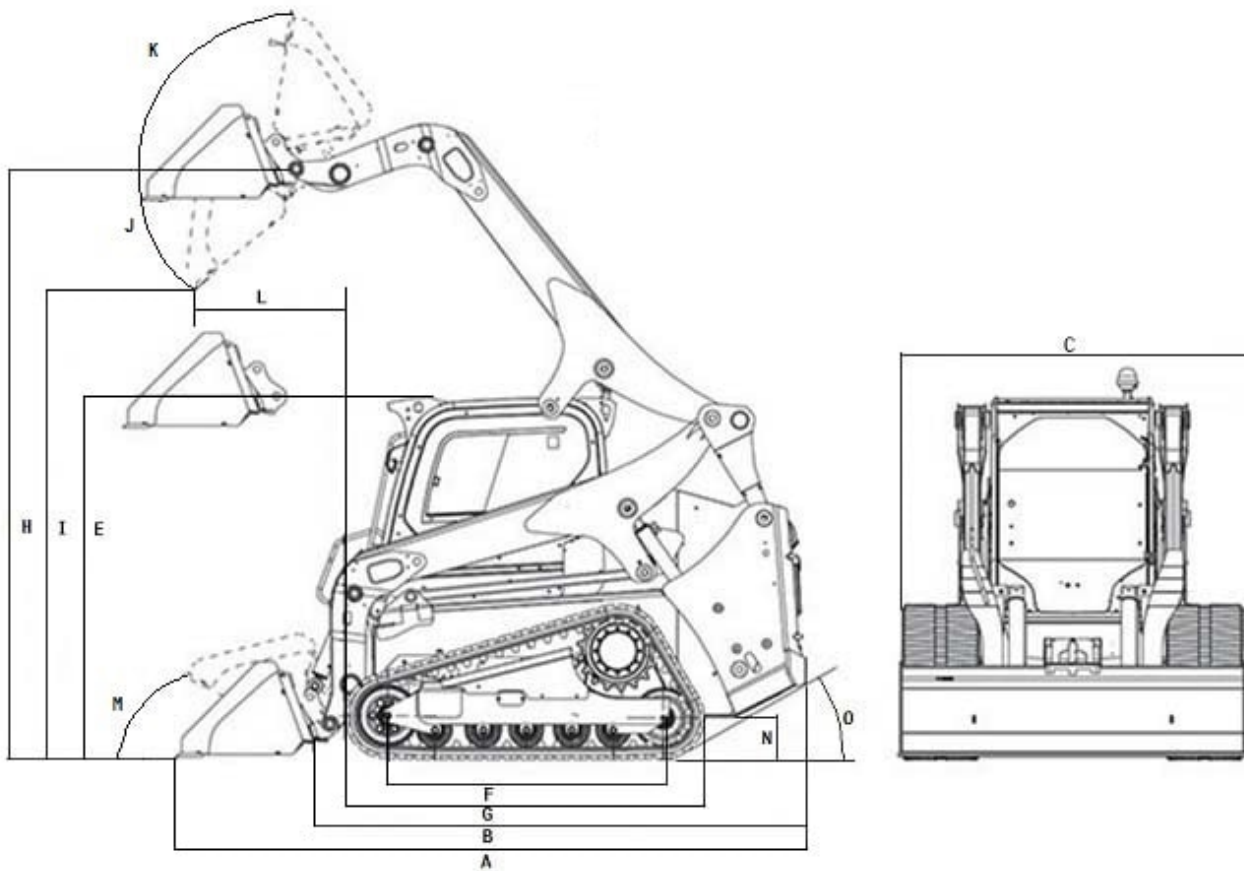
Hydraulic system

Auxiliary Hydraulics- Standard Flow	22.1 US gpm
Auxiliary Hydraulics- High Flow	31.7 US gpm
Pressure aux. relief	3,500 psi

Power transmission

Travel speed low	6.4 mph
Travel speed high	9.6 mph

ST35 Dimensions



A	Overall length with bucket	144.2 in
B	Overall length without bucket	116.1 in
C	Overall width with bucket	78 in
D	Overall width without bucket	76 in
E	Overall height	81.9 in
F	Wheelbase	63 in
H	Hinge pin height	125.9 in
I	Dump height max.	95.2 in
J	Dump angle	45 °
L	Dump reach	21.7 in
M	Bucket rollback at ground level	30.5 °
N	Ground clearance	9.4 in
O	Angle of departure	30 °

Please note: that product availability can vary from country to country. It is possible that information / products may not be available in your country. More detailed information on engine power can be found in the operator's manual; the stated power may vary due to specific operating conditions. Subject to alterations and errors excepted. Applicable also to illustrations.

Copyright © 2021 Wacker Neuson SE.