

8085

All Wheel Steer Loaders



**WACKER
NEUSON**
all it takes!



delivers exceptional weight to power ratio

The 8085 T4F all wheel steer wheel loader offers easy transport and maneuverability around the job site. This wheel loader features a long wheelbase for smooth driving and easy handling. Counterweights are located far behind the rear axle for higher payloads and stability. Three steering modes offer excellent maneuverability, overall machine stability and increased performance. Machine design features a T4F 74 HP engine with maintenance free after-treatment (DOC) with a focus of the placement of components for access and serviceability.

- Tier 4 Final Deutz engine with maintenance-free DOC aftertreatment provides power and efficient operation
- Hydraulically operated universal attachment plate allows for efficient changing from one accessory to another without leaving the operator's station
- Three steering modes (All-wheel, 2-wheel and Crab) provide excellent maneuverability in any operating condition
- Operator's station offers a spacious and functional layout for operator comfort and provides a panoramic view
- Certain models are available with 25 mph/40 kph and high flow auxiliary hydraulics

8085 Technical specifications

Engine / Motor

Engine / Motor manufacturer	Deutz
Engine / Motor type	TCD 2.9
Engine performance	73.7 hp
Displacement	176.9 in ³

Electrical system

Operating voltage	12 V
Battery	77 Ah
Alternator	95 A

Weights

Operating weight	10,471.9 lb
Breakout force	9,172 lbf
Payload	4,739.9 lb
Tipping load standard bucket	8,046.8 lb
Tipping load pallets	5,919.4 lb

Vehicle data

Bucket capacity	1.1 yd ³
Speed Level series	20

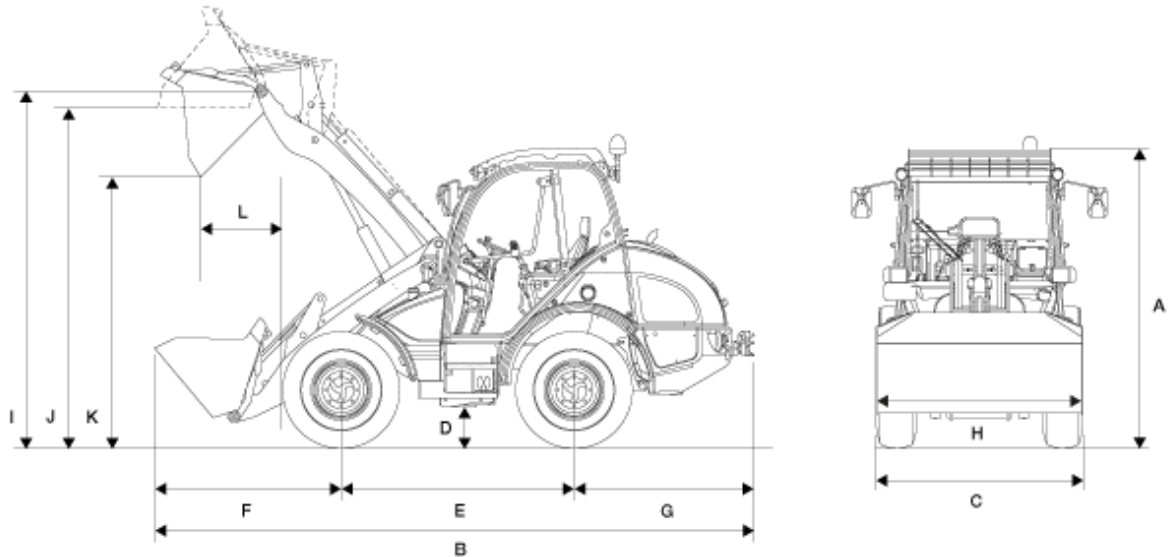
Hydraulic system

Operating hydraulics - operating pressure	3,190.9 psi
Operating hydraulics - discharge capacity	18.2 US gpm

Filling capacities

Fuel tank capacity	22.1 US gal
Hydraulic oil tank	52.8 US qt

8085 Dimensions



Dimensions

A	Height	97.6 in
B	Overall length	207.9 in
C	Overall width	70.1 in
D	Ground clearance	13 in
E	Wheelbase	79.5 in
F	Center of front axle to tip of teeth	69.7 in
G	Center of rear axle to end of vehicle	58.7 in
H	Bucket width	72.8 in
I	Hinge pin height	129.5 in
J	Overhead loading height	123.6 in
K	Dump height max.	100.8 in
L	Dump reach	25 in
	Stack height	119.7 in

Please note: that product availability can vary from country to country. It is possible that information / products may not be available in your country. More detailed information on engine power can be found in the operator's manual; the stated power may vary due to specific operating conditions. Subject to alterations and errors excepted. Applicable also to illustrations.

Copyright © 2021 Wacker Neuson SE.