

# WL32

## Articulated Wheel Loaders



**WACKER  
NEUSON**  
*all it takes!*



### Articulated Wheel Loader offers power and performance

The WL 32 is equipped with a powerful Perkins 4-cylinder, Tier IV Final diesel engine that delivers high performance. Available with either a 48-hp or 60-hp designed for maximum efficiency. This articulating wheel loader features a modern cab design ensuring panoramic visibility with excellent headroom and freedom of movement. With the universal attachment plate, Faster Hydraulic Block and 14-pin auxiliary electrical harness all standard, operating attachments is quick and easy.

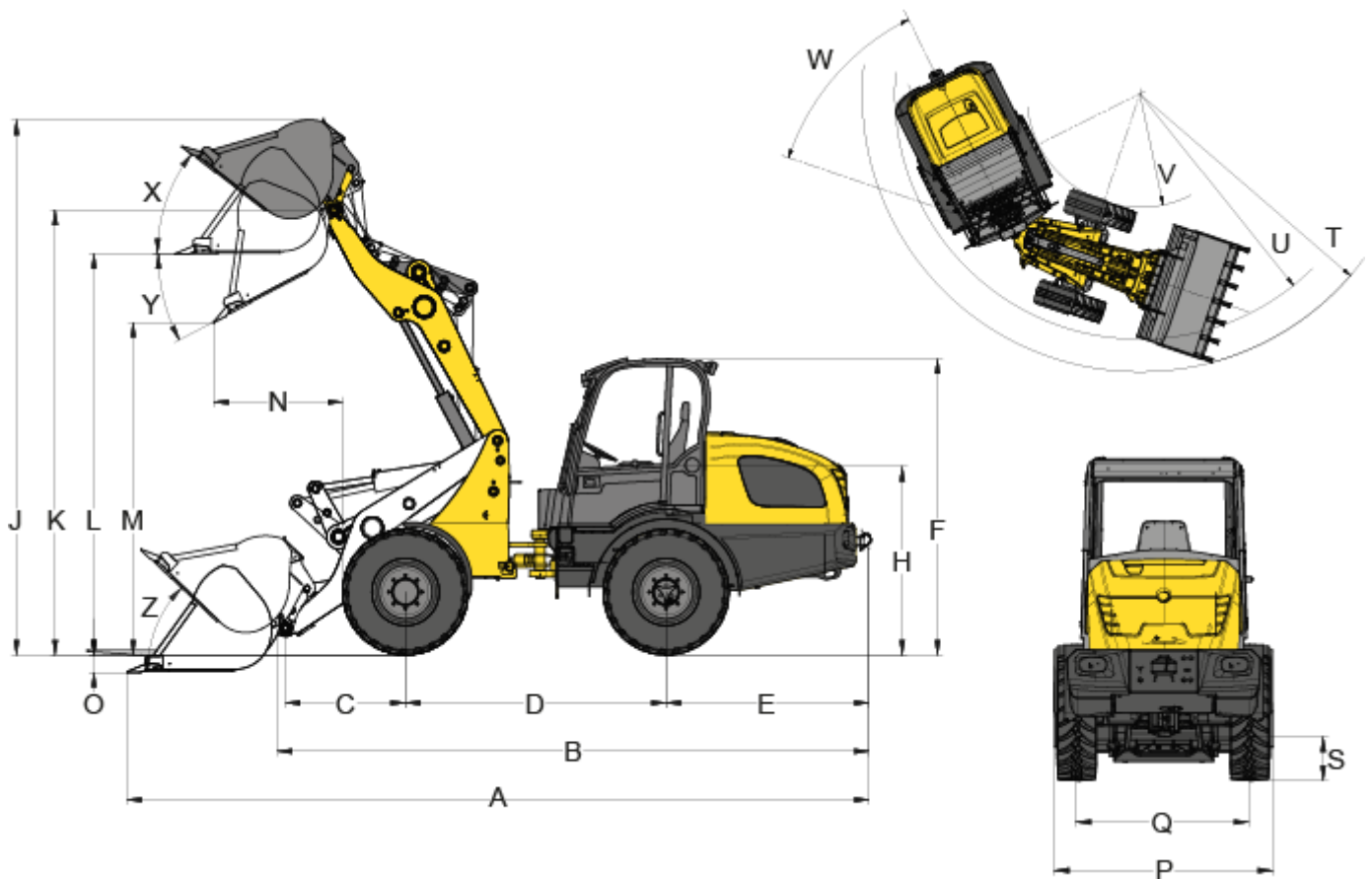
- Universal attachment plate accepts most existing skid steer attachments.
- Standard aux hydraulic flow of 16 gpm with 28 gpm high flow option
- Compact design with 48-inch width (narrow tires required), is ideal for maneuvering on sidewalks
- Operators station is easily accessible from both sides for added convenience. Ergonomically shaped and spring mounted seat is designed for operator comfort and added productivity. Choice of canopy or cab.
- Excellent visibility; infinitely adjustable steering column; platform is side tilting for better serviceability

## WL32 Technical specifications

	Canopy	Cab	Cab
<b>Engine / Motor</b>			
Engine / Motor manufacturer	Perkins	Perkins	Perkins
Engine / Motor type	404 F-22	404 F-22	404 F-22T
Cylinder	4	4	4
Engine performance hp	49	49	60
at rpm maximum rpm	2,600	2,600	2,600
Displacement in <sup>3</sup>	135	135	135
Coolant type	Water	Water	Water
<b>Electrical system</b>			
Operating voltage V	12	12	12
Battery Ah	95	95	95
Alternator A	85	85	85
<b>Weights</b>			
Operating weight lb	7,496		
Lifting force maximum lb	4,292	4,292	4,292
Breakout force maximum lbf	9,597	9,597	9,597
<b>Vehicle data</b>			
Bucket capacity Standard bucket yd <sup>3</sup>	0.59	0.59	0.59
Traction drive	Hydrostatic with universal joint shaft	Hydrostatic with universal joint shaft	Hydrostatic with universal joint shaft
Axles	PA 940	PA 940	PA 940
Drivers cab	Canopy	Cabin	Cabin
Speed (standard) mph	0-12.4	0-12.4	0-12.4
Speed Level	2	2	2
Standard tires	31x15.5-15EM ET-37	31x15.5-15EM ET-37	31x15.5-15EM ET-37
<b>Hydraulic system</b>			
Driving hydraulics - operating pressure psi	6,527	6,527	6,527
Operating hydraulics - operating pressure psi	3,046	3,046	3,046
Operating hydraulics - discharge capacity US gpm	14.8	14.8	
Operating hydraulics - discharge capacity US gpm			26.4
<b>Filling capacities</b>			
Fuel tank capacity US gal	16.9	16.9	16.9
Tank capacity - Hydraulic US gal	37	37	37
<b>Sound level</b>			
Average sound power level LwA dB(A)	99.8	99.8	99.8
Guaranteed sound power level LwA dB(A)	101	101	101
Specified sound pressure level LpA dB(A)	82	82	82

Standard bucket = digging bucket, width 55.12 in (1400 mm)

## WL32 Dimensions



-	Standard tires	31x15.5-15EM ET-37
A	Overall length	187.2 in
B	Overall length without bucket	158.3 in
C	Bucket pivot point to axle center	26.6 in
D	Wheelbase	76.9 in
E	Rear overhang	50.8 in
F	Height - Canopy	92 in
F	Height - Cab	92.4 in
H	Seat height	52.8 in
J	Total operating height	158.6 in
K	Stroke height max. - bucket pivot point	126.1 in
L	Overhead loading height	113.7 in
M	Dump height max.	95.7 in
N	Range at M	10.2 in
O	Scraping depth	1.7 in
P	Overall width	55.7 in
Q	Track width	37 in
S	Ground clearance	9.6 in
T	Radius maximum	139 in
U	Radius at outer edge	124.8 in
V	Inside turning radius	72 in

W	Articulation angle	45 °
X	Bucket rollback at max. stroke height	50 °
Y	Dump angle	48 °
Z	Bucket rollback at ground level	39 °

Please note: that product availability can vary from country to country. It is possible that information / products may not be available in your country. More detailed information on engine power can be found in the operator's manual; the stated power may vary due to specific operating conditions. Subject to alterations and errors excepted. Applicable also to illustrations.  
Copyright © 2021 Wacker Neuson SE.