

WL36

Articulated Wheel Loaders



**WACKER
NEUSON**
all it takes!



Optimum power and fuel economy

The WL 36 is equipped with a powerful 48 HP diesel engine. The operator's station is ergonomically laid out for comfort and convenience. The low effort multifunctional joystick with integrated auxiliary controls allows for easy attachment operation. Also standard is a heating and air conditioning system that provides for a perfect working climate during all seasons.

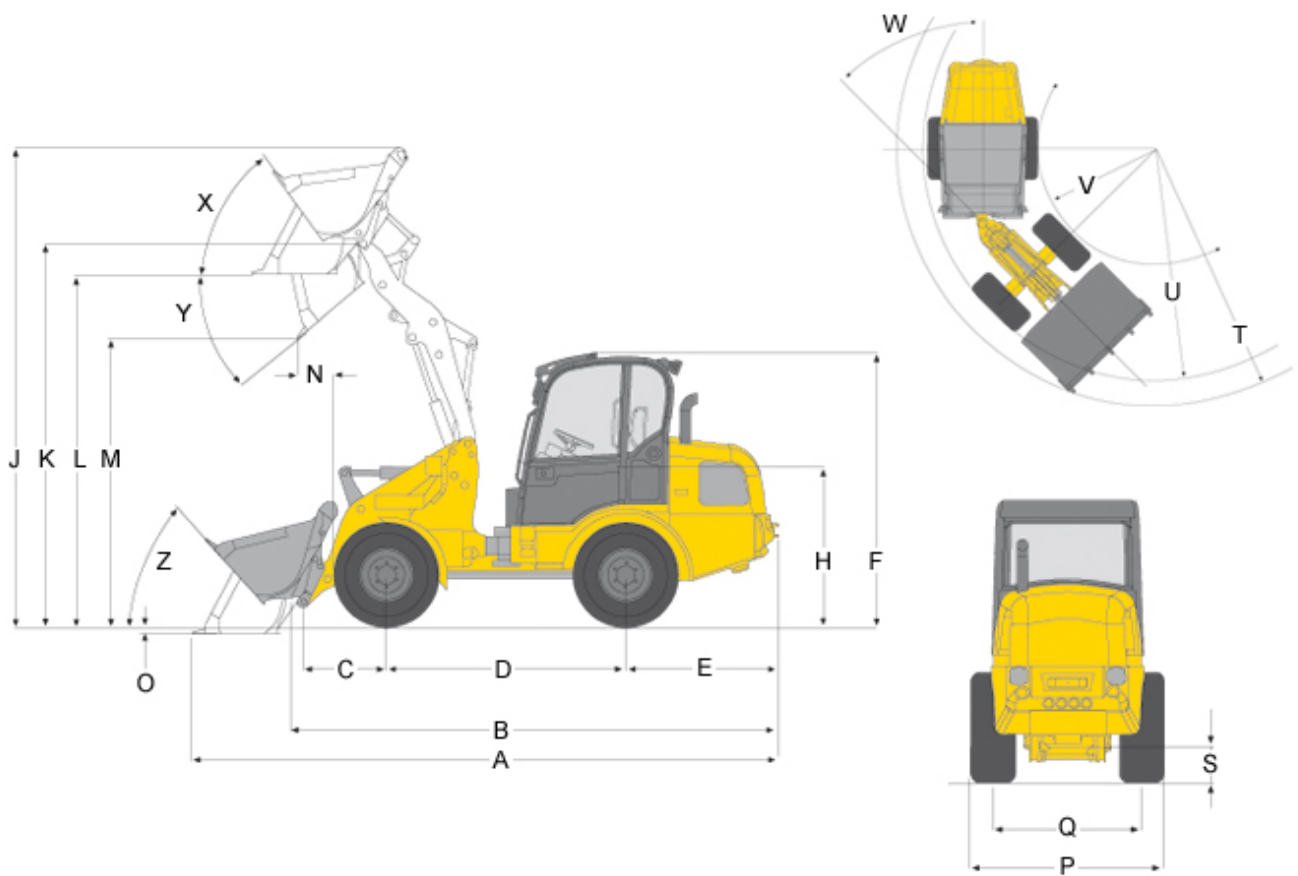
- 100% on demand differential lock provides the operator with superior traction in wet conditions or when driving into a pile of material.
- PZ kinematics system ensures that power and speed are always optimum when raising and lowering the lift arms.
- Excellent all around visibility provides a clear view to the attachments and the entire working area.
- Universal skid steer attachment mounting plate makes this machine an ideal tool carrier for all jobs.
- Excellent service access with tiltable cab and engine hood that opens 90 degrees, allowing full access to all engine and hydraulic components.

WL36 Technical specifications

| | Cabin | Canopy** |
|--|----------|----------|
| Engine / Motor | | |
| Engine / Motor manufacturer | Perkins | Perkins |
| Engine / Motor type | 404 D-22 | 404 D-22 |
| Cylinder | 4 | 4 |
| Engine performance hp | 47.9 | 47.9 |
| at rpm maximum rpm | 2,600 | 2,600 |
| Displacement in ³ | 135.23 | 135.23 |
| Coolant type | Water | Water |
| Electrical system | | |
| Operating voltage V | 12 | 12 |
| Battery Ah | 77 | 77 |
| Alternator A | 65 | 65 |
| Weights | | |
| Operating weight lb | 8,000 | 8,007 |
| Lifting force maximum lb | 8,330 | 8,330 |
| Breakout force maximum lbf | 8,780 | 8,780 |
| Vehicle data | | |
| Bucket capacity standard bucket yd ³ | 0.785 | 0.785 |
| Speed level 1 mph | 0-4.4 | 0-4.4 |
| Speed level 2 mph | 0-12.4 | 0-12.4 |
| Hydraulic system | | |
| Driving hydraulics - operating pressure psi | 6,530 | 6,530 |
| Driving hydraulics - discharge capacity US gpm | 27.5 | 27.5 |
| Operating hydraulics - operating pressure psi | 3,045 | 3,045 |
| Operating hydraulics - discharge capacity US gpm | 16.5 | 16.5 |
| Filling capacities | | |
| Tank capacity (fuel) US gal | 14.5 | 14.5 |
| Engine oil US qt | 8.8 | 8.8 |
| Hydraulic oil tank US qt | 69 | 69 |
| Hydraulic system US qt | 79 | 79 |
| Coolant US qt | 10.5 | 10.5 |
| Front axle US qt | 4.25 | 4.25 |
| Rear axle US qt | 5 | 5 |
| Sound level | | |
| Cabin - specified sound pressure level LpA dB(A) | 78 | 78 |
| Sound level (LwA) dB(A) | 101 | 101 |

Standard bucket = digging bucket, width 1650 mm ** Industrial / Fertilizer option with additional counterweight

WL36 Dimensions



| | | |
|---|---|----------|
| A | Overall length | 195.3 in |
| B | Overall length without bucket | 162.4 in |
| C | Bucket pivot point to axle center | 27.6 in |
| D | Wheelbase | 79.5 in |
| E | Rear overhang | 51 in |
| F | Height with cab | 90.9 in |
| H | Seat height | 52.4 in |
| J | Total operating height | 159.5 in |
| K | Stroke height max. - bucket pivot point | 127.6 in |
| L | Overhead loading height | 116.9 in |
| M | Dump height max. | 95.6 in |
| N | Range at M | 11.6 in |
| O | Scraping depth | 2.1 in |
| P | Overall width | 61.4 in |
| Q | Track width | 47.2 in |
| S | Ground clearance | 11.7 in |
| T | Radius maximum | 144.7 in |
| U | Radius at outer edge | 130 in |
| V | Inside turning radius | 65.9 in |
| X | Bucket rollback at max. stroke height | 54 ° |

| | | |
|---|---------------------------------|------|
| Y | Dump angle maximum | 40 ° |
| Z | Bucket rollback at ground level | 48 ° |

All values with standard bucket and standard tires

Please note: that product availability can vary from country to country. It is possible that information / products may not be available in your country. More detailed information on engine power can be found in the operator's manual; the stated power may vary due to specific operating conditions. Subject to alterations and errors excepted. Applicable also to illustrations.
Copyright © 2021 Wacker Neuson SE.